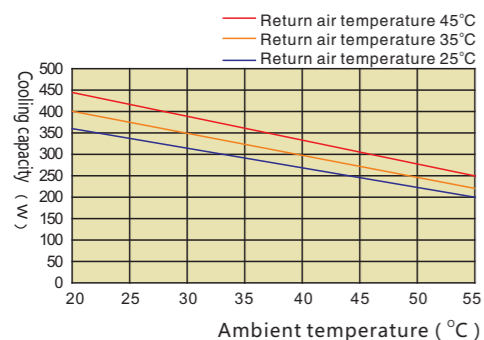
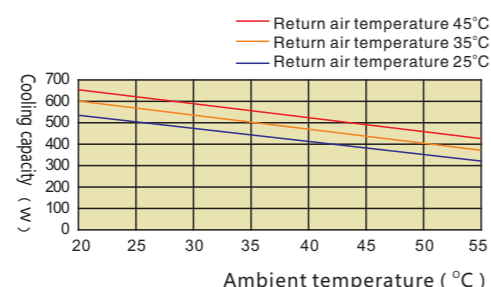




Performance curve

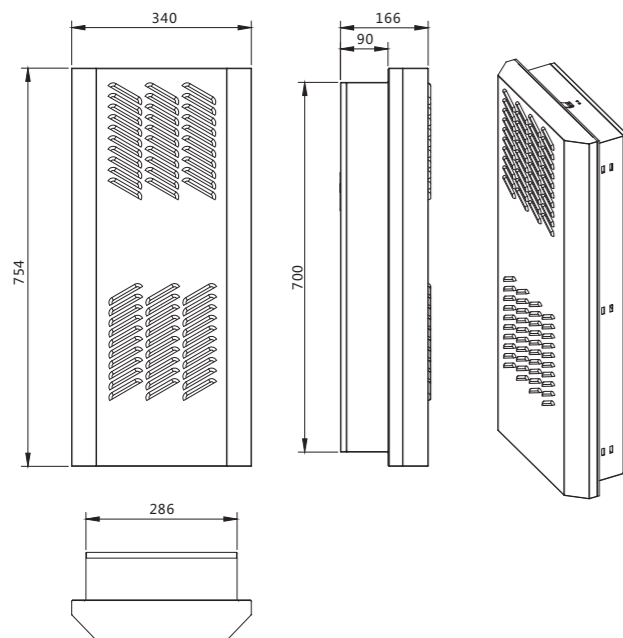


TCS320

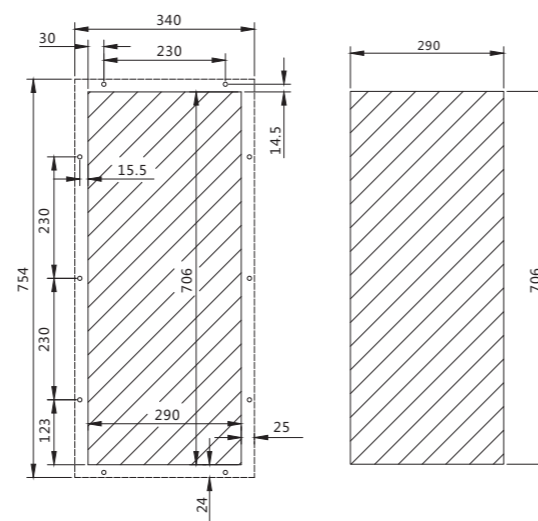


TCS500

TCS320/500 Outside dimension drawing



TCS320/500/320Q/500Q Cutout size diagram



Features

- Completely isolation between the internal and external air circuit keeps the inside hermetically sealed, preventing the ingress of moisture and dust particles from the outside;
- Anti-vandal design with rainproof, lightning protection, insect prevention, theft deterrent and radiation protection guarantees the best security for outdoor cabinet in remote areas;
- Real-time digital temperature display indicates the current working status and allows the desired temperature to be set;
- RS485 communication port is built in for the remote monitoring of functions and automated signal transmission;
- Model ending with "V" is specially designed for the air exchange of battery compartment in telecom cabinet and to regularly expel out its hydrogen;
- Model ending with "Q" is in boltless mounting with fast clip for simple processing steps.



Model No.	TCS320	TCS320-V	TCS320Q	TCS320Q-V	TCS500	TCS500-V	TCS500Q	TCS500Q-V
Factory ID.NO	30200358	30200382	30200583	30200593	30200579	30200581	30200584	30200594
Outside dimension (W×H×D)	340 x 754 x 166mm							

Refrigeration data:	TCS320	TCS320-V	TCS320Q	TCS320Q-V	TCS500	TCS500-V	TCS500Q	TCS500Q-V
Cooling capacity(L35/L35)	320W				500W			
Cooling capacity(L50/L35)	260W				400W			
Type of refrigerant	R134a							
Thermostatic setting	adjustable within a range of +20 °C (+68 °F) to 40 °C (+104 °F), factory set+35 °C (+95 °F)							
Air volume, external circuit	180m ³ /h				210m ³ /h			
Air volume, internal circuit	240m ³ /h				350m ³ /h			
Condensate discharge	Built-in condensate evaporation system							
Amount of refrigerant	70g				100g			

Electrical data:	TCS320	TCS320-V	TCS320Q	TCS320Q-V	TCS500	TCS500-V	TCS500Q	TCS500Q-V
Rated voltage	230VAC							
Rated frequency	50 Hz							
Range of operation	200 ... 240 V							
Power consumption at A35/A35	258W				304W			
Rated current at A 35 / A35	1.1 A				1.3 A			
Starting current at A 35 / A35	6.6A				7.8A			
Connection	Plug-in connector							

Supplementary data:	TCS320	TCS320-V	TCS320Q	TCS320Q-V	TCS500	TCS500-V	TCS500Q	TCS500Q-V
Weight(no packaging)	18 kg				19 kg			
Vertically mounted on door or side panel	Partially-recessed mounting on side wall or door with bolts							

Construction	Sheet steel							
Housing	Galvanized sheet steel/electro-statically powder coating; the stainless steel cover is available on request							
Color	RAL 7035 light grey; other colors are available on request							
Insulation	In accordance with DIN 31001							
Climate	Max. ambient temperature 55 °C; the max RH 80% at L35/L35(EN 814)							
Protection category	IP 54							
Standard scope of supply	Enclosure AC, operating instruction, technical datasheet, installation kit inc. plug-in connector, bolts							
Approva	CE							

Onsite application

