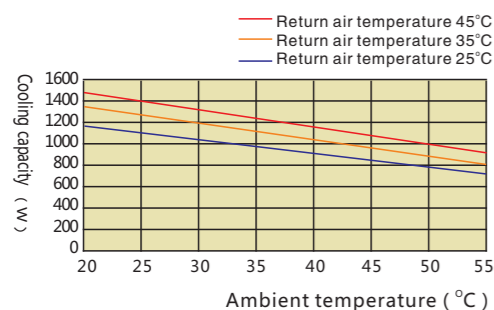
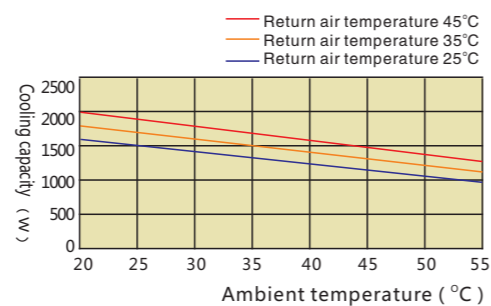




## Performance curve

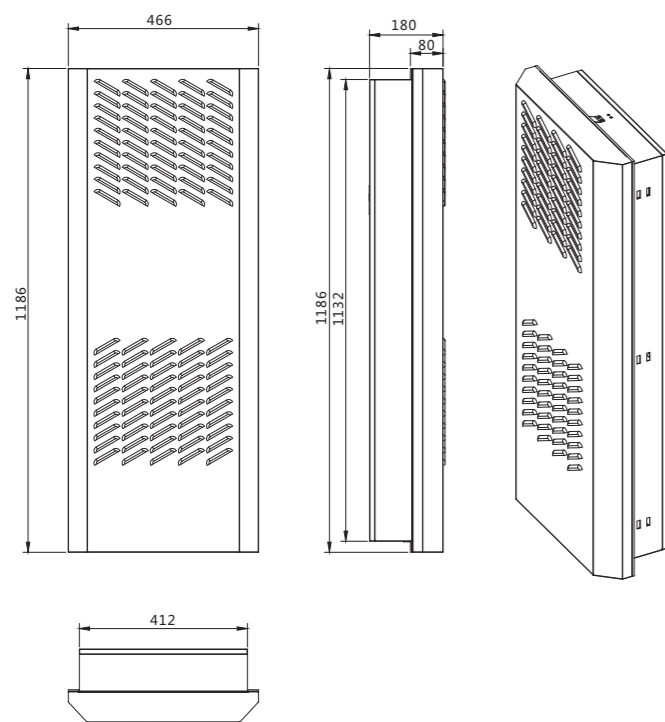


TCS1100

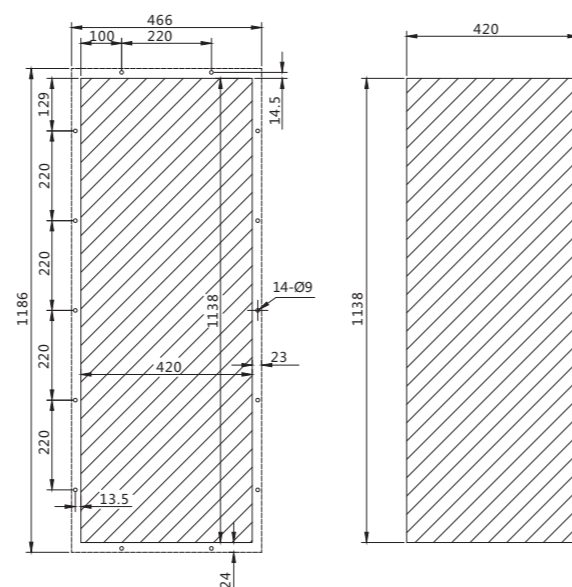


TCS1500

## TCS1100/1500 Outside dimension drawing



## TCS1100/1500/1100Q/ 1500Q Cutout size diagram



## Onsite application



## Features

- Suitable for the cooling of outdoor cabinet.
- It cools down the air inside the cabinet, dissipates the heat out of the cabinet and protects those heat-sensitive components.
- Particularly suitable for the cooling of outdoor cabinet in siting ambience within the range from 40 °C to 55 °C, in comparison to other lower-performance heat dissipating devices;
- easy installation with the option of fully external mounting or one of three semi-embedded options



Model No.	TCS1100	TCS1100Q	TCS1500	TCS1500Q
Factory ID.NO	30200580	30200587	30200325	30200588
Outside dimension ( W × H × D )	466 x 1186 x 180mm			

Refrigeration data:	TCS1100	TCS1100Q	TCS1500	TCS1500Q
Cooling capacity(L35/L35)	1100W		1500W	
Cooling capacity(L50/L35)	850W		1200W	
Type of refrigerant	R134a			
Thermostatic setting	adjustable within a range of + 20 ° C (+ 68 ° F) to 40 ° C (+ 104 ° F), factory set+35 ° C (+ 95 ° F)			
Air volume, external circuit	380m <sup>3</sup> /h		420m <sup>3</sup> /h	
Air volume, internal circuit	500m <sup>3</sup> /h		550m <sup>3</sup> /h	
Condensate discharge	Built-in condensate evaporation system			
Amount of refrigerant	430g		550g	

Electrical data:	TCS1100	TCS1100Q	TCS1500	TCS1500Q
Rated voltage	230VAC			
Rated frequency	50 Hz			
Range of operation	200 ... 240 V			
Power consumption at A35/A35	515W		589W	
Rated current at A 35 / A35	2.3 A		2.6A	
Starting current at A 35 / A35	13.8A		15.6A	
Connection	Plug-in connector			

Supplementary data:	TCS1100	TCS1100Q	TCS1500	TCS1500Q
Weight(no packaging)	53 kg		55 kg	
Vertically mounted on door or side panel	Partially-recessed mounting on side wall or door with bolts			

Construction	Sheet steel			
Housing	Galvanized sheet steel/electro-statically powder coating; the stainless steel cover is available on request			
Color	RAL 7035 light grey; other colors are available on request			
Insulation	In accordance with DIN 31001			
Climate	Max. ambient temperature 55 ° C; the max RH 80% at L35/L35(EN 814)			
Protection category	IP 54			
Standard scope of supply	Enclosure AC, operating instruction, technical datasheet, installation kit inc. plug-in connector, bolts			
Approva	CE			