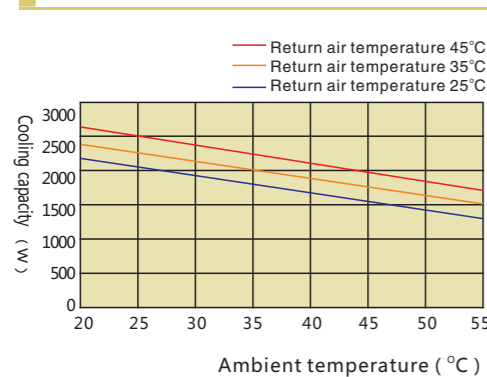
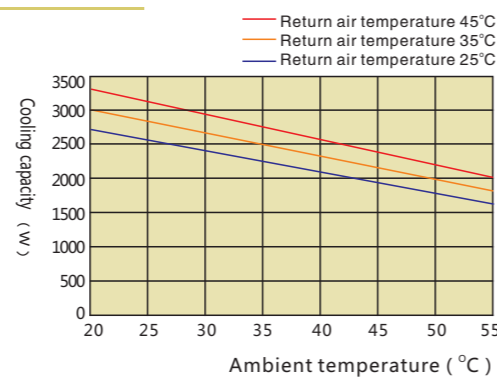




Performance curve

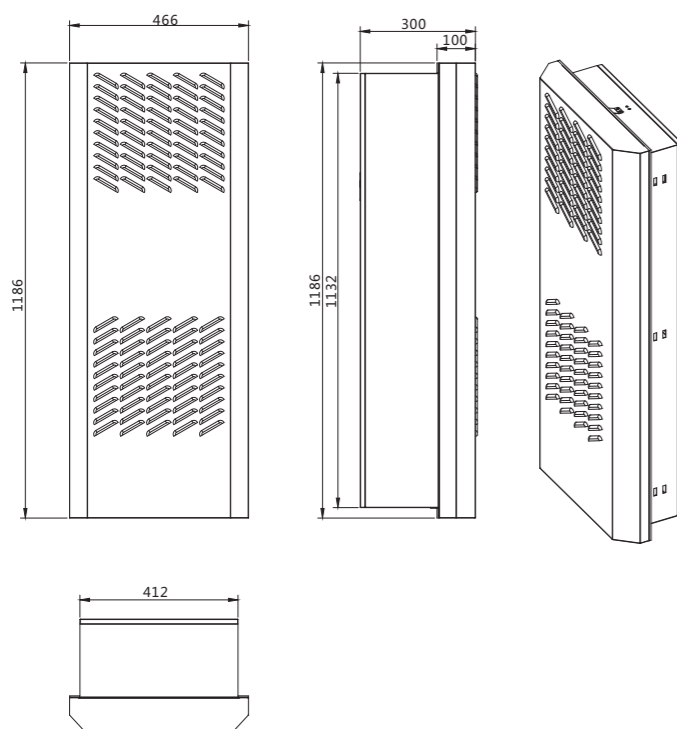


TCS2000

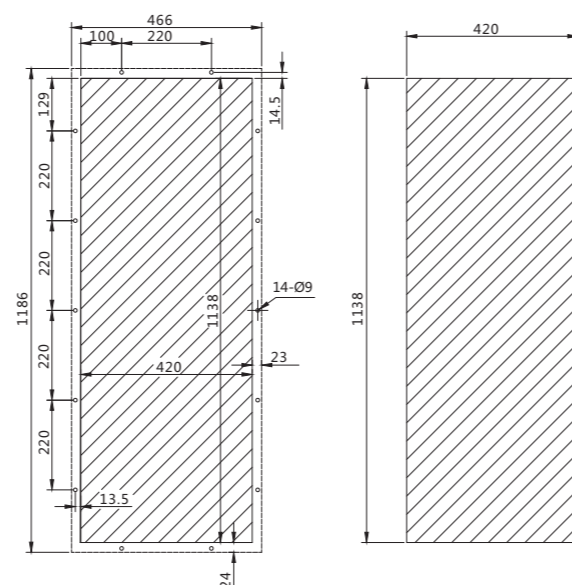


TCS2500

TCS2000/2500 Outside dimension drawing



TCS2000/2500/2000Q/ 2500Q Cutout size diagram



Onsite application



Features

- Suitable for the cooling of outdoor cabinet.
- It cools down the air inside the cabinet, dissipates the heat out of the cabinet and protects those heat-sensitive components.
- Particularly suitable for the cooling of outdoor cabinet in siting ambience within the range from 40 °C to 55 °C, in comparison to other lower-performance heat dissipating devices;
- easy installation with the option of fully external mounting or one of three semi-embedded options



Model No.	TCS2000	TCS2000Q	TCS2500	TCS2500Q
Factory ID.NO	30200326	30200589	30200327	30200590
Outside dimension (W x H x D)	466 x 1186 x 300mm			

Refrigeration data:	TCS2000	TCS2000Q	TCS2500	TCS2500Q
Cooling capacity(L35/L35)	2000W		2500W	
Cooling capacity(L50/L35)	1500W		2000W	
Type of refrigerant	R134a			
Thermostatic setting	adjustable within a range of +20 °C (+68 °F) to 40 °C (+104 °F), factory set+35 °C (+95 °F)			
Air volume, external circuit	760m ³ /h		800m ³ /h	
Air volume, internal circuit	1000m ³ /h		1300m ³ /h	
Condensate discharge	Built-in condensate evaporation system			
Amount of refrigerant	1050g		1126g	

Electrical data:	TCS2000	TCS2000Q	TCS2500	TCS2500Q
Rated voltage	230VAC			
Rated frequency	50 Hz			
Range of operation	200 ... 240 V			
Power consumption at A35/A35	828W		957W	
Rated current at A 35 / A35	3.6 A		4.2A	
Starting current at A 35 / A35	21.6A		25.4A	
Connection	Plug-in connector			

Supplementary data:	TCS2000	TCS2000Q	TCS2500	TCS2500Q
Weight(no packaging)	65 kg		67 kg	
Vertically mounted on door or side panel	Partially-recessed mounting on side wall or door with bolts			
Construction	Sheet steel			
Housing	Galvanized sheet steel/electro-statically powder coating; the stainless steel cover is available on request			
Color	RAL 7035 light grey; other colors are available on request			
Insulation	In accordance with DIN 31001			
Climate	Max. ambient temperature 55 °C; the max RH 80% at L35/L35(EN 814)			
Protection category	IP 54			
Standard scope of supply	Enclosure AC, operating instruction, technical datasheet, installation kit inc. plug-in connector, bolts			
Approva	CE			