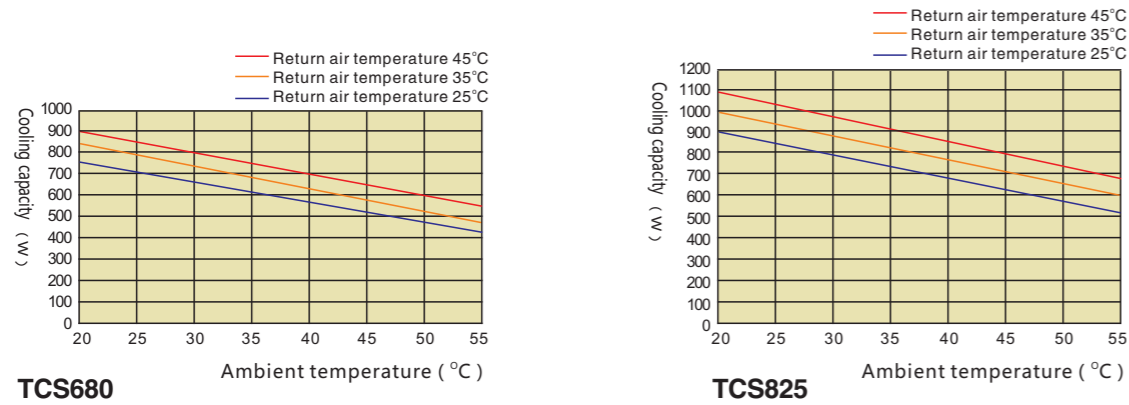


Outdoor cabinet cooling unit (partially-recessed type) 680W 825W

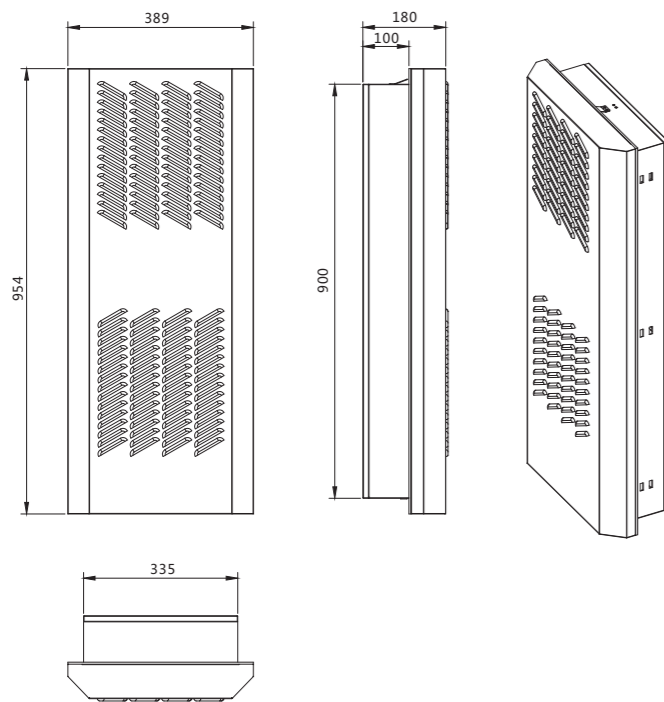
The epitome of cool: greener and more stable



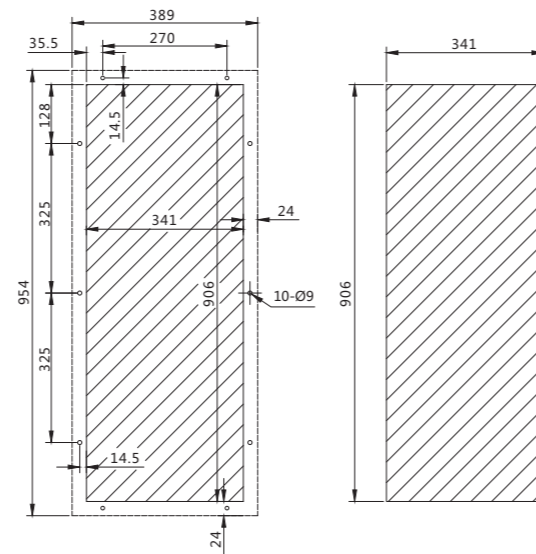
Performance curve



TCS680/825 Outside dimension drawing



TCS680/825/680Q/ 825Q Cutout size diagram



Onsite application



Features

- Suitable for the cooling of outdoor cabinet.
- It cools down the air inside the cabinet, dissipates the heat out of the cabinet and protects those heat-sensitive components.
- Particularly suitable for the cooling of outdoor cabinet in siting ambience within the range from 40 °C to 55 °C, in comparison to other lower-performance heat dissipating devices;
- easy installation with the option of fully external mounting or one of three semi-embedded options



Model No.	TCS680	TCS680Q	TCS825	TCS825Q
Factory ID.NO	30200357	30200585	30200572	30200586
Outside dimension (W × H × D)	389 x 954 x 180mm			

Refrigeration data:	TCS680	TCS680Q	TCS825	TCS825Q
Cooling capacity(L35/L35)	680W		825W	
Cooling capacity(L50/L35)	540W		620W	
Type of refrigerant	R134a			
Thermostatic setting	adjustable within a range of +20 °C (+68 °F) to 40 °C (+104 °F), factory set+35 °C (+95 °F)			
Air volume, external circuit	220m ³ /h		240m ³ /h	
Air volume, internal circuit	380m ³ /h		420m ³ /h	
Condensate discharge	Built-in condensate evaporation system			
Amount of refrigerant	300g		360g	

Electrical data:	TCS680	TCS680Q	TCS825	TCS825Q
Rated voltage	230VAC			
Rated frequency	50 Hz			
Range of operation	200 ... 240 V			
Power consumption at A35/A35	331W		368W	
Rated current at A 35 / A35	1.5 A		1.6 A	
Starting current at A 35 / A35	9A		9.6A	
Connection	Plug-in connector			

Supplementary data:	TCS680	TCS680Q	TCS825	TCS825Q
Weight(no packaging)	37 kg		39 kg	
Vertically mounted on door or side panel Construction	Partially-recessed mounting on side wall or door with bolts Sheet steel			
Housing	Galvanized sheet steel/electro-statically powder coating; the stainless steel cover is available on request			
Color	RAL 7035 light grey; other colors are available on request			
Insulation	In accordance with DIN 31001			
Climate	Max. ambient temperature 55 °C; the max RH 80% at L35/L35(EN 814)			
Protection category Standard	IP 54			
scope of supply Approva	Enclosure AC, operating instruction, technical datasheet, installation kit inc. plug-in connector, bolts CE			