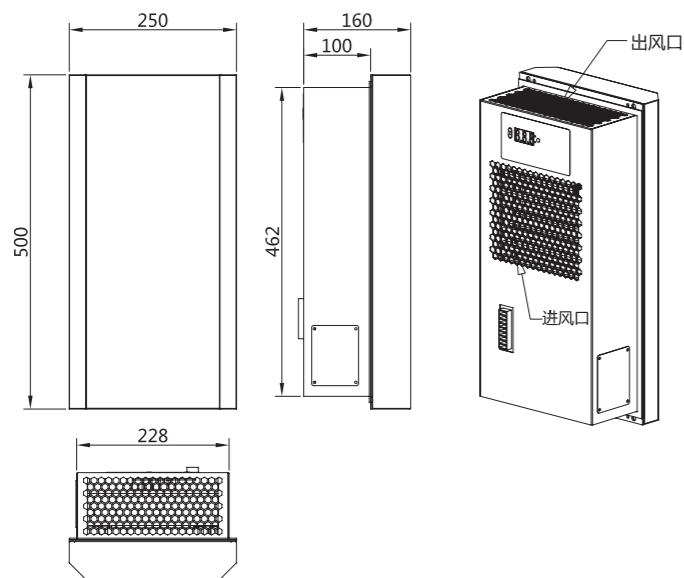
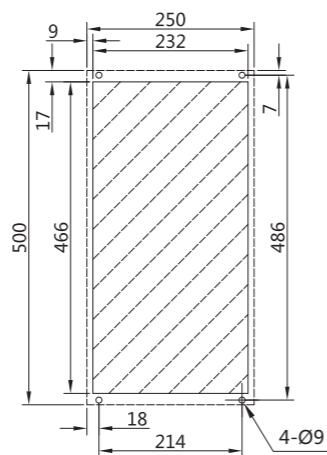




Hd3000 Outside dimension drawing



Hd3000 Cutout size diagram

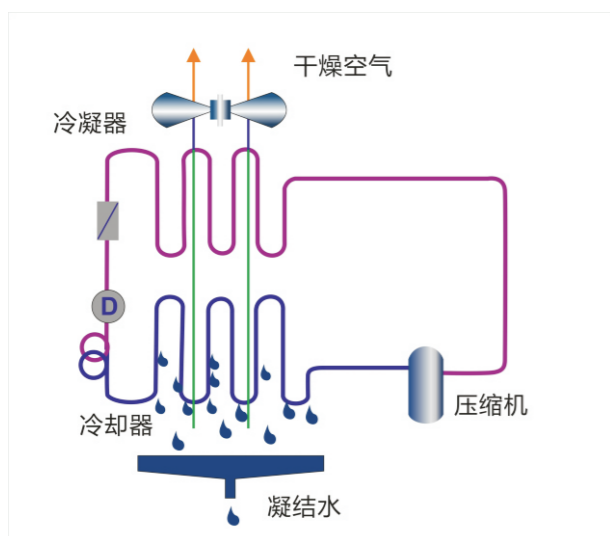


Features

- Designed with high dehumidifying capacity at 3L/D;
- Built-in heater;
- The fitting method of partially-recessed mounting saves the limited space;
- Easy installation just with 4 bolts.
- Digital control interface for easy operation;
- Real-time display of both temperature and humidity for the inside of the enclosure



结构原理图



Model No.	HD3000
Factory ID.NO	30200505
Outside dimension (W×H×D)	250x500x160mm

Technical data	HD3000
Humidifying capacity	3L/D
Type of refrigerant	R134a/130g
Ambient temperature	from 15° C to 55° C
Condensate discharge	Hose discharge
Airflow rate	180m ³ /h

Electrical data:	HD3000
Rated voltage	230VAC
Rated frequency	50 Hz
Range of operation	220 ... 240 V
	202W
Rated current at A 35 / A35	0.9 A
Starting current at A 35 / A35	5.4A
Connection	Plug-in connector

Supplementary data:	HD3000
Weight(no packaging)	20 kg
Vertically mounted on door or side panel	Arrayed with cabinet or combined with cabinet
Housing	Galvanized sheet steel/electro-statically powder coating; the stainless steel cover is available on request
Color	RAL 7035 light grey; other colors are available on request
Insulation	In accordance with DIN 31001
Climate	Max. ambient temperature 55 ° C; the max RH 80% at L35/L35(EN 814)
Protection category	IP 54
Standard scope of supply	Enclosure AC, operating instruction, technical datasheet, installation kit inc. plug-in connector, bolts
Approva	CE